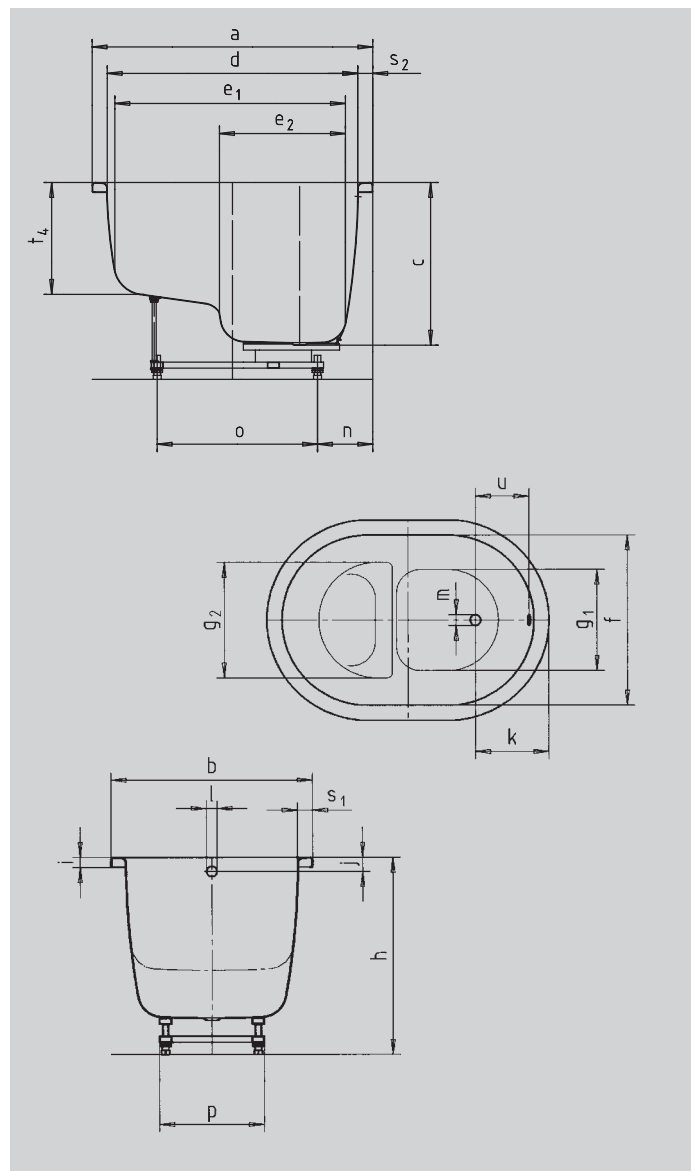


KUSATSU POOL

- design draws inspiration from the highly developed Japanese bathing culture
- unusual depth of 81 cm enables you to submerge the whole of your upper body
- comfortable as an armchair for extremely relaxed bathing
- made of Kaldewei steel enamel 3.5 mm



Similar illustration



Model No.		177
External length	a	1400 mm
External width	b	1000 mm
Depth	c	810 mm
Internal length (top)	d	1250 mm
Internal length (bottom)	e₁; e₂	1150; 625 mm
Internal width (top)	f	850 mm
Internal width (bottom)	g ₁ ; g ₂	505; 575 mm
Height with feet	h	980-1040 mm
Height of rim	i	50 mm
Distance top edge to centre of overflow hole	j	70 mm
Distance tub edge to centre of drain hole	k	360 mm
Diameter of overflow hole	l	52 mm
Diameter of drain hole	m	52 mm
Distance foot end of tub edge to centre of foot	n	275 mm
Distance between the feet	o	800 mm
Max. width of feet	p	520 mm
Width of rim (lengthwise; foot end)	s ₁ ; s ₂	75; 75 mm
Sitting depth	t ₄	560 mm
Distance between centre holes	u	285 mm
Water volume** in litres		435
Weight of the enamelled bath tub in kg		79
Anti-slip		- mm
Full anti-slip		- mm

A door width of 1050 mm is required when a whirl system is fitted.

Note: The operational system may protrude on some whirl systems.
Please refer to the Technical Information for Whirl Systems for further information.
Subject to technical alterations and tolerances.
** 70 litres displacement on average.