

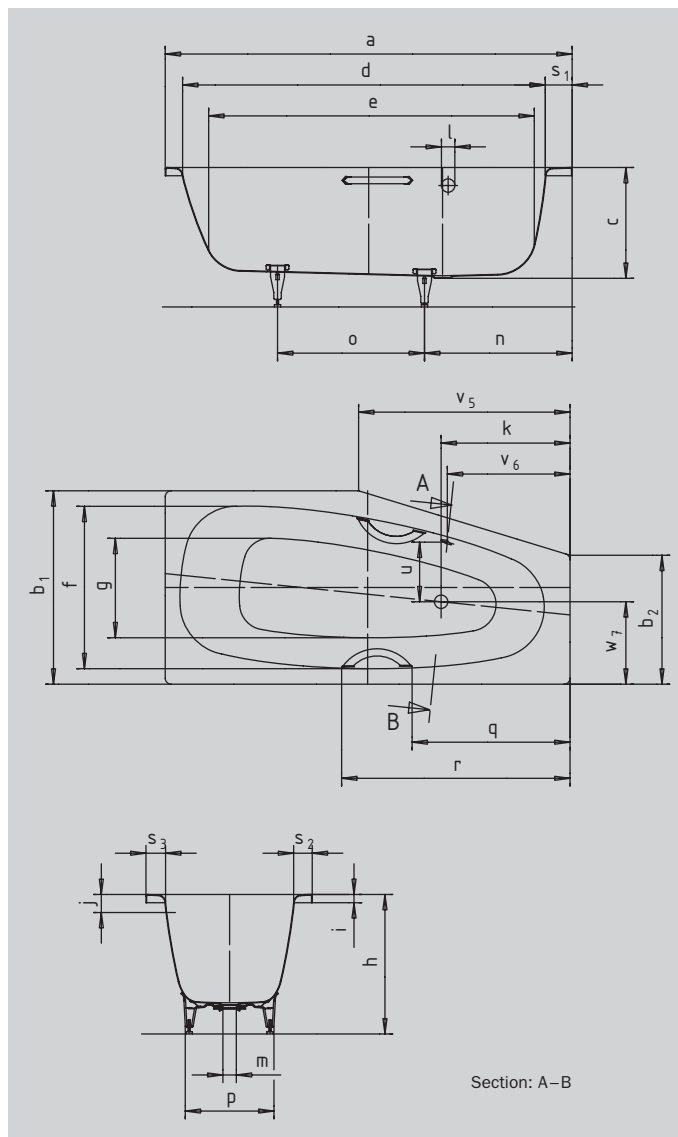
MINI left

MINI STAR left

- special shape is ideal for small bathrooms
- one-seater bathtub with side overflow
- economic water consumption thanks to its tapering interior contours
- made of Kaldewei steel enamel 3.5 mm
- also available with handles



Similar illustration



Model No.		836 / 837	832 / 833
External length	a	1570	1570 mm
External width	b ₁ ; b ₂	700; 475	750; 500 mm
Depth	c	430	430 mm
Internal length (top)	d	1410	1410 mm
Internal length (bottom)	e	1250	1250 mm
Internal width (top)	f	600	600 mm
Internal width (bottom)	g	360	360 mm
Height with feet	h	550-570	550-570 mm
Height of rim	i	32	32 mm
Distance top edge to centre of overflow hole	j	70	70 mm
Distance tub edge to centre of drain hole	k	500	500 mm
Diameter of overflow hole	l	52	52 mm
Diameter of drain hole	m	52	52 mm
Distance foot end of tub edge to centre of foot	n	570	570 mm
Distance between the feet	o	440	490 mm
Max. width of feet	p	430	430 mm
Distance tub edge (foot end) to where handle starts (Mod. 837/833)	q	611,8	611,8 mm
Distance tub edge (foot end) to where handle ends (Mod. 837/833)	r	885,8	885,8 mm
Width of rim (foot end; lengthwise; at overflow)	s ₁ ; s ₂ ; s ₃	100; 48; 70	100; 60; 70 mm
Distance between centre holes	u	246	246 mm
Distance tub edge (foot end) to overflow hole	v	475	475 mm
Length of narrow side	v ₅	738	820 mm
Drain hole off-centre	w ₇	320	320 mm
Water volume** in litres		110	110
Weight of the enamelled bath tub in kg		45	52
Anti-slip		Ø 288	Ø 288 mm
Full anti-slip		600 x 220	600 x 220 mm

Subject to technical alterations, tolerances and errors. Similar illustration.
 ** 70 litres displacement on average.