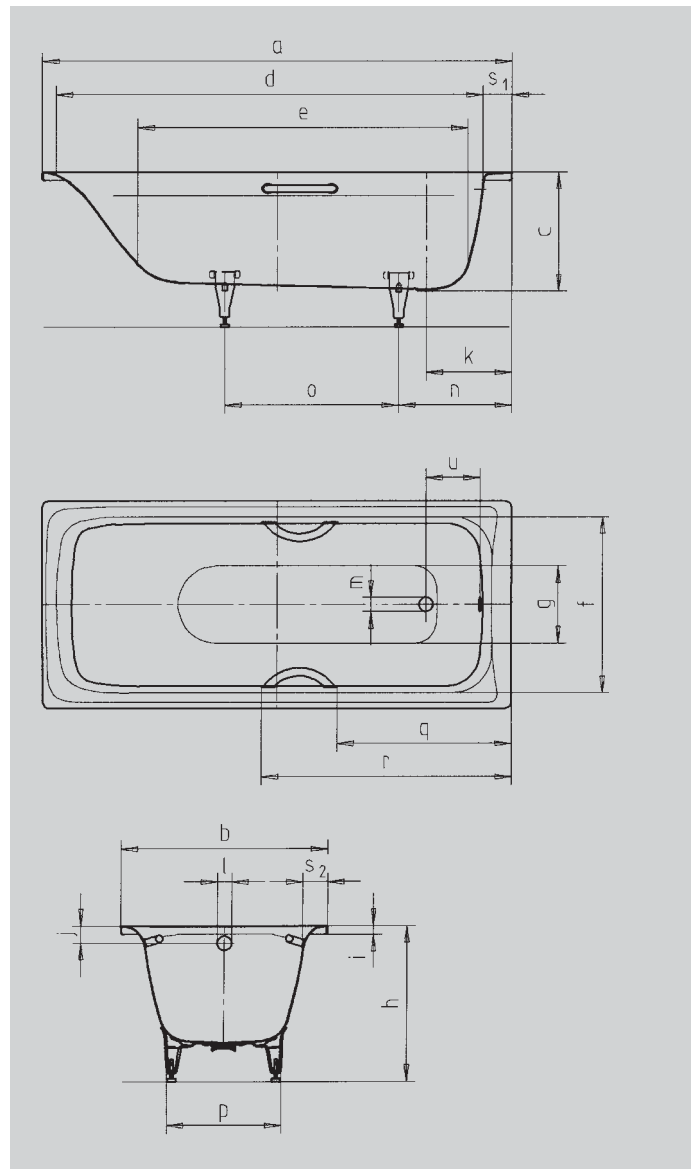


SANILUX SANILUX STAR

- especially comfortable thanks to rounded area for neck
- one-seater bathtub with waste at foot end
- classic four-cornered model
- made of Kaldewei steel enamel 3.5 mm
- also available with handles



Similar illustration

| Model No. | | 342 / 343 |
|--|---------------------------------|----------------|
| External length | a | 1700 mm |
| External width | b | 750 mm |
| Depth | c | 430 mm |
| Internal length (top) | d | 1545 mm |
| Internal length (bottom) | e | 1150 mm |
| Internal width (top) | f | 585 mm |
| Internal width (bottom) | g | 328 mm |
| Height with feet | h | 535-555 mm |
| Height of rim | i | 32 mm |
| Distance top edge to centre of overflow hole | j | 63 mm |
| Distance tub edge to centre of drain hole | k | 310 mm |
| Diameter of overflow hole | l | 52 mm |
| Diameter of drain hole | m | 52 mm |
| Distance foot end of tub edge to centre of foot | n | 410 mm |
| Distance between the feet | o | 630 mm |
| Max. width of feet | p | 430 mm |
| Distance tub edge (foot end) to where handle starts (Mod. 343) | q | 632 mm |
| Distance tub edge (foot end) to where handle ends (Mod. 343) | r | 905 mm |
| Width of rim (foot end; lengthwise) | s ₁ ; s ₂ | 100; 58 mm |
| Distance between centre holes | u | 200 mm |
| Water volume** in litres | | 124 |
| Weight of the enamelled bath tub in kg | | 49 |
| Anti-slip | | Ø 288 mm |
| Full anti-slip | | 600 x 220 mm |

Subject to technical alterations, tolerances and errors. Similar illustration.
** 70 litres displacement on average.