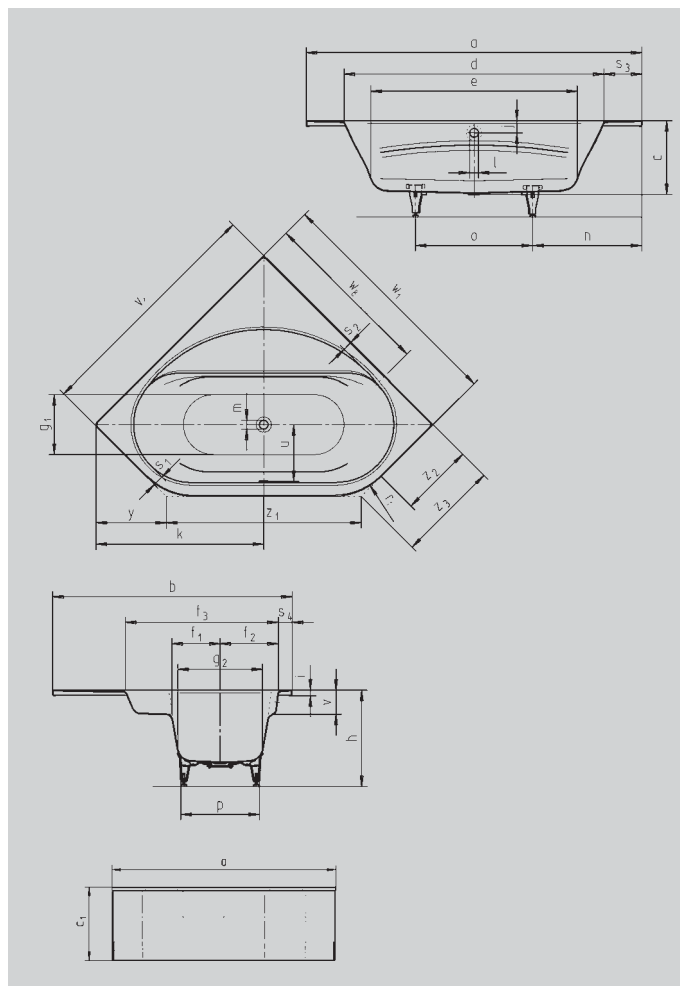


VAIO DUO 3 VAIO DUO 3 WITH MOULDED PANEL

- attractive corner bathtub with distinct arm rest which can also be used as a seat
- bathing with a friend: two identical back rests and centrally positioned waste
- made of Kaldewei steel enamel 3.5 mm
- also available with panel



Similar illustration



Model No.		962	962-7
External length	a	1961	1961 mm
External width	b	1401	1401 mm
Overall height with panel	c ₁	–	560 mm
Depth	c	430	430 mm
Internal length (top)	d	1522	1522 mm
Internal length (bottom)	e	1206	1206 mm
Internal width (top) bathing area; incl. armrest	f ₁ ; f ₂ ; f ₃	282; 340; 855	282; 340; 855 mm
Internal width (bottom)	g ₁ ; g ₂	353; 496	353; 496 mm
Height with feet	h	550-590	550-590 mm
Height of rim	i	32	32 mm
Distance top edge to centre of overflow hole	j	70	70 mm
Distance tub edge to centre of drain hole	k	980	980 mm
Diameter of overflow hole	l	52	52 mm
Diameter of drain hole	m	52	52 mm
Distance foot end of tub edge to centre of foot	n	680,5	680,5 mm
Distance between the feet	o	600	600 mm
Max. width of feet	p	455	455 mm
Radius	r ₁	400	400 mm
Width of rim (foot end; lengthwise)	s ₁ ; s ₂ ; s ₃ ; s ₄	62; 55; 219; 80	62; 55; 219; 80 mm
Distance between centre holes	u	332	332 mm
Armrest depth	v	140	140 mm
Side length	v ₁	1400	1400 mm
Side width	w ₁	1400	1400 mm
Narrowest point (for wall inlet fittings)	w ₈	1000	1000 mm
Face	y	410,5	410,5 mm
Side length	z ₁ ; z ₂ ; z ₃	1140; 428; 594	1140; 428; 594 mm
Water volume** in litres		125	125
Weight of the enamelled bath tub in kg		53	–
Anti-slip		–	–
Full anti-slip		–	–

Subject to technical alterations, tolerances and errors. Similar illustration.
** 70 litres displacement on average.